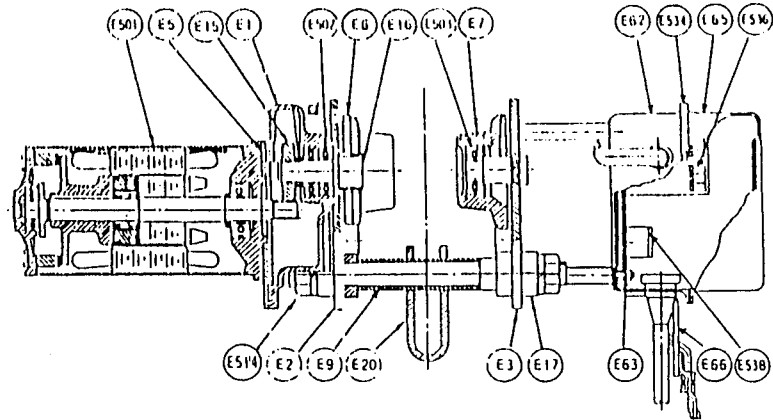
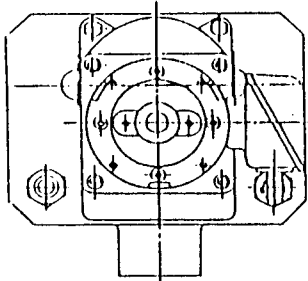


Part Number	Part Name	Nos, used	250kg	500kg	1tw	1t	2t	Remarks
E1	Gear box	1	BEM6001U				LEM6001U	
E2	Gear-side plate	1	BET5002USN				LET5002USN	
E3	Plain-side plate	1	BET5003USN				LET5003USN	
E5	Support for motor flange	1	BET5005				LET5005	
E6	Gear wheel assembly	2	BET5006TSN				LET5006TSN	
E7	Plain wheel assembly	2	BET5007TSN				LET5007TSN	
E9	Stay bolts	2	BET5009SN				LET5009SN	
E10A	Stay pipes A	2	BET5010ASN					
E10B	Stay pipes B	4	BET5010BSN					
E15	Pinion gear	1	BET5015				LET5015	
E16	Pinion	1	BET5016				LET5016	
E16-1	Pinion collar	1	BET50161				LET50161	
E17	Spacer washer	*2	PWM20				LGT5011SN	
E19	Top holder pin	1	————	GET5019	————	LET5019		
E20	Top holder	1	BET5020TH			JET6020TSN	LET5020TH	
E21	Connecting plate	1	————	JEM6021	————	LEM6021		
E46	Bolts for E62	4	BET5046SN					
E62	Switch holder	1	DEM6062					
E63	Base plate	1	DEM6063USN					
E65	Switch cover	1	BET5065					
E501	Motor	1	DEM6501B				LEM6501B	
E502	Ball bearing	1	6004Z				6205Z	
E504	Retaining ring - Ctype	1	50042				50052	
E505	Retaining ring - Ctype	1	51020				51025	
E507	Retaining ring - Ctype	4	51015				51025	
E519	Ball bearing	1	6004LLU				6205LLU	
E534	Gasket for E62	1	DEM6534					
E536	Electromagnetic contactor	1	HMU1224					
E551	Push button switch	1	Refer to cord numbers shown in the circuit diagram tables.					
E552	Power source cable	1	DEM6552					
E553	Trolley cable	1	DEM6553				LEM6553	
E555	Push button cable assembly	1	Specify the type of push button switch and the length of the pendant cable.					
E558	Connecting cable(power)	1	DEM6558SN				LEM6558SN	
E559	Connecting cable(control)	1	DEM6559SN				LEM6559SN	
E569	Connector cover gasket	1	DEC4585					
E607	Cord lock	2	OA-W2216					
E609	Cord lock	2	SK-14L					
E611	Gasket for E5	1	DEM6611				LEM6611	

ELECTRIC TROLLEY SECTION

FOR MODEL MH-5

0.5~2 ton

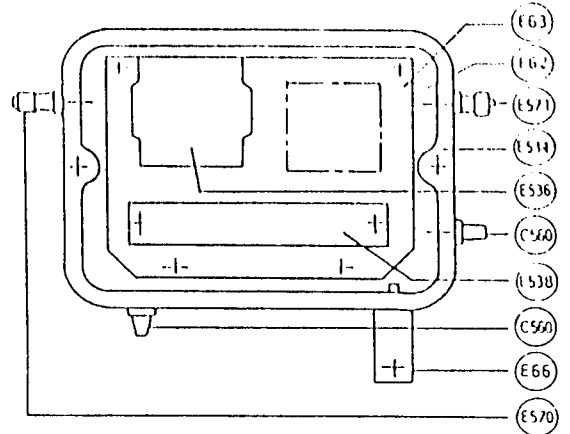
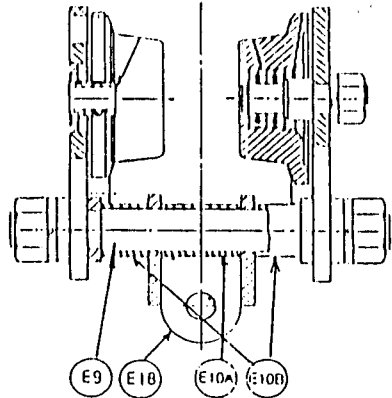
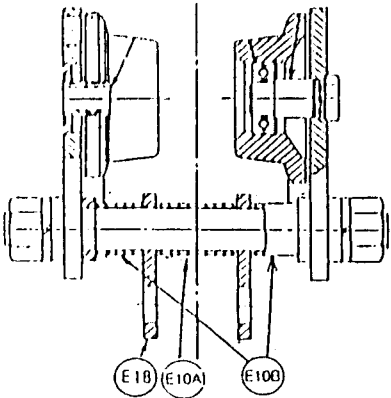


Connecting plate section

Switch holder section

3 ton

5 ton



INDEX NO.	PART NAME	NOS. USED	INDEX NO.	PART NAME	NOS. USED
E1	GEAR BOX	1	E62	SWITCH HOLDER	1
E2	GEAR-SIDE PLATE (W/WHEEL PINS)	1	E63	BASE PLATE	1
E3	PI PIN-SIDE PLATE (W/WHEEL PINS)	1	E65	SWITCH COVER	1
E5	SUPPORT FOR MOTOR FLANGE	1	E66	SUPPORTING PLATE FOR C23	1
E6	GEAR WHEELS (W/BALL BEARINGS)	2	E501	MOTOR W/BRAKE	1
E7	PLAIN WHEELS (W/BALL BEARINGS)	2	E502	BALL BEARINGS FOR E16	2
E9	STAY BOLTS	2	E503	BALL BEARINGS FOR WHEELS:(0.25~3 ton)	4
E10A	STAY PIPES A	2		BALL BEARINGS FOR WHEELS (5 ton)	8
E10B	B	4	E514	NUTS	4
E15	PINION GEAR	1	E534	GASKET FOR E62	1
E16	PINION	1	E536	ELECTROMAGNETIC CONTACTOR	1
E17	ADJUST COLLARS		E538	TERMINAL BOARD	1
E18	CONNECTING PLATE (3 ton)	2	E570	CORD LOCK	1
	CONNECTING PLATE (5 ton)	1	E571	CORD LOCK	1
E20	TOP HOLDER (0.25~2 ton)	1	C560	BLIND BUSHING	2